

Features

- ✧ Automatically isolating short circuit part on the loop and automatically restoring it when short circuit is corrected.
- ✧ Used as detector base.
- ✧ Standard: EN54-17.

Description

In loop type fire alarm system, it often occurs that partial short circuit of loop affects the whole system. C-9504E Base Mount Short Circuit Isolator can isolate the shorted circuit from the whole system to ensure normal operation of the remaining parts and locate the failed part by illuminating a yellow indicator. When the short circuit fault is cleared, the shorted part will be restored.

The isolator is applicable to all loop type fire alarm systems, either Class A or Class B loop.

Connection and Cabling

Fig. 1 shows terminals on the isolator.

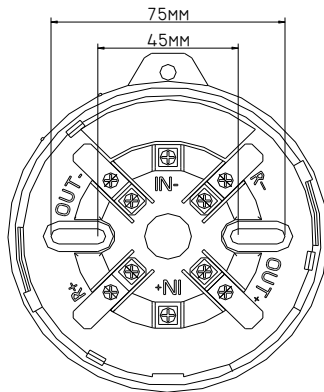


Fig. 1

Connection Description:

IN+, IN-: Input end of loop. IN+ is positive, and IN- negative.

R+, R-: Remote indicator output. R+ is positive, and R- negative.

OUT+, OUT-: Output of loop. OUT+ is positive, and OUT- negative.

Recommended Cabling:

1.0mm² or above fire cable for loop, subject to local codes.



0832-CPR-F0034
GST-0017-01
14



548n/02

Installation

The mounting of C-9504E isolator is shown in Fig. 2.

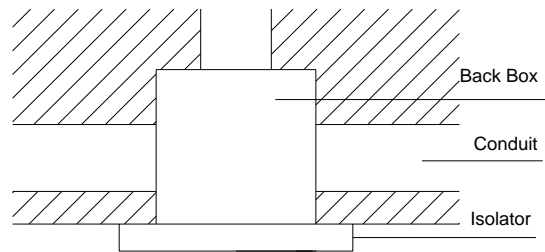


Fig. 2

Application

Polarity-sensitive external connections, input and output can be used inversely without direction. Electric connection is shown in Fig. 3.

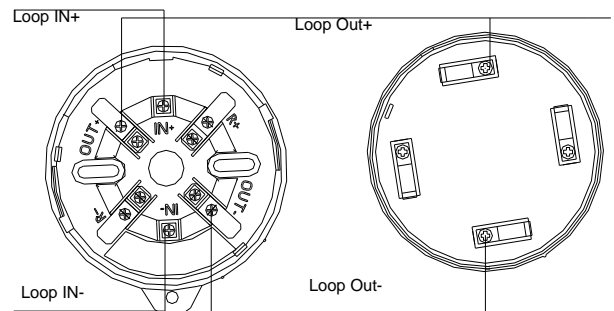


Fig. 3

Isolator application in Class A is shown in Fig.4.

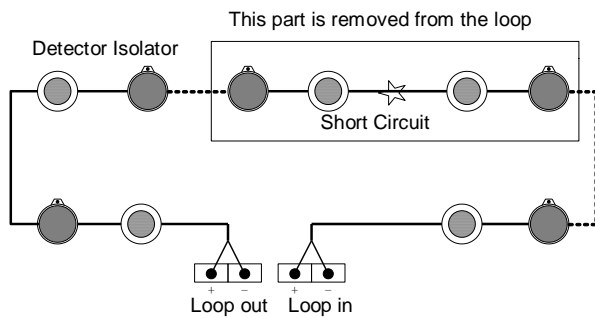


Fig. 4

Isolator application in Class B is shown in Fig.5.

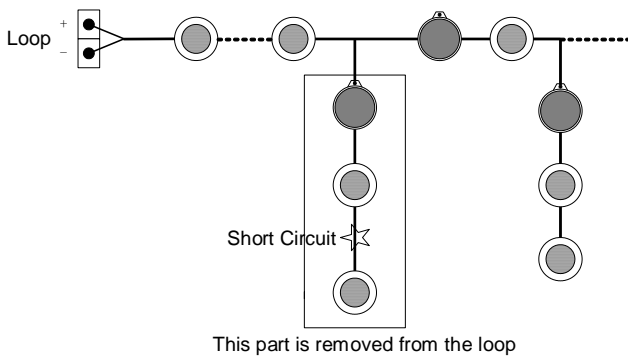


Fig. 5

WEEE Information



2012/19/EU (WEEE directive): Products marked with this symbol cannot be disposed of as unsorted municipal waste in the European Union. For proper recycling, return this product to your local supplier upon the purchase of equivalent new equipment, or dispose of it at designated collection points.

Specification

Nominal Line Voltage (V_{NOM})	24V
Standby Current	<100 μ A
Capacity	70 devices
Indicator	Yellow. It flashes in normal standby state, constantly illuminates in action.
Wiring	two-wire
Maximum Line Voltage (V_{MAX})	28V
Minimum Line Voltage (V_{MIN})	16V
Maximum voltage at which the device isolates ($V_{SO MAX}$)	11V
Minimum voltage at which the device isolates ($V_{SO MIN}$)	8V
Maximum voltage at which the device reconnects ($V_{SC MAX}$)	4V
Minimum voltage at which the device reconnects ($V_{SC MIN}$)	1.4V
Maximum rated continuous current with the switch closed ($I_{C MAX}$)	1A
Maximum rated switching current ($I_{S MAX}$)	5A
Maximum leakage current with the switch open ($I_{L MAX}$)	7.5mA
Maximum series impedance with the switch closed ($Z_{C MAX}$)	0.15 Ω
Environmental Temperature	-10 $^{\circ}$ C ~ +40 $^{\circ}$ C
Relative Humidity	\leq 95%, non condensing
Ingress Protection Rating	IP33 with cover IP22 without cover
Material and Color of Enclosure	ABS, white (RAL 9016)
Dimension	ϕ 103mm \times 20mm
Mounting Hole Distance	45mm~75mm
Weight	About 85g

Limited Warranty

GST warrants that the product will be free of charge for repairing or replacing from defects in design, materials and workmanship during the warranty period. This warranty shall not apply to any product that is found to have been improperly installed or used in any way not in accordance with the instructions supplied with the product. Anybody, including the agents, distributors or employees, is not in the position to amend the contents of this warranty. Please contact your local distributor for products not covered by this warranty.

This Data Sheet is subject to change without notice. Please contact GST for more information or questions.

Gulf Security Technology Co., Ltd.

No. 80, Changjiang East Road, QETDZ, Qinhuangdao, Hebei, P. R. China 066004

Tel: +86 (0) 335 8502434 Fax: +86 (0) 335 8502532

service.gst@fs.utc.com www.gst.com.cn